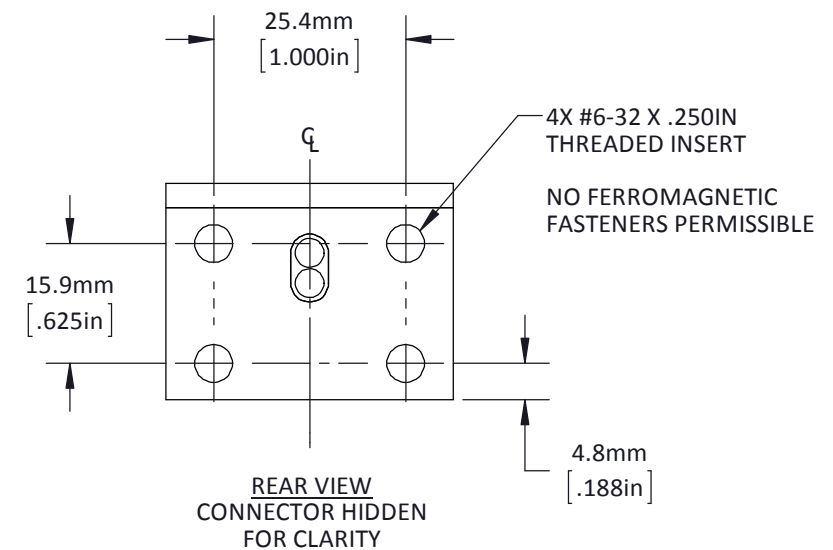
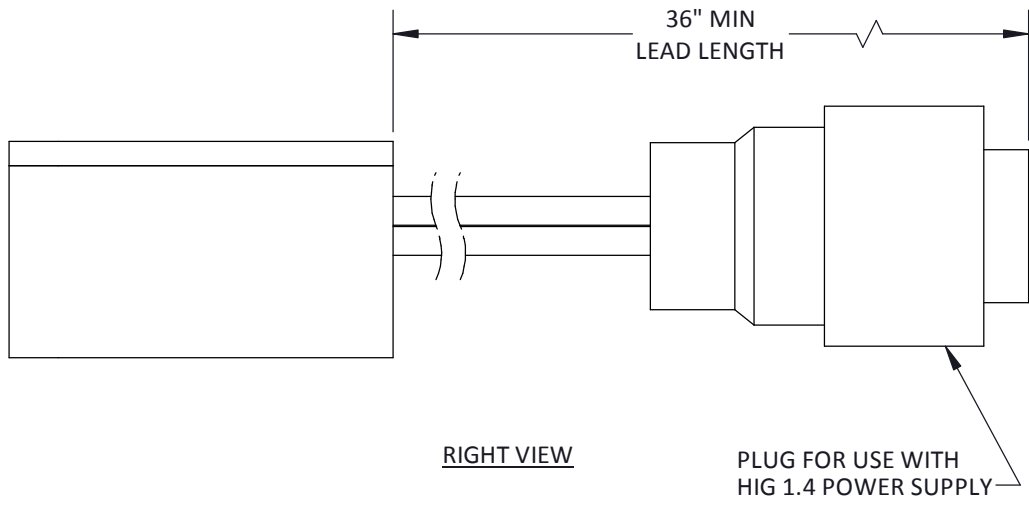
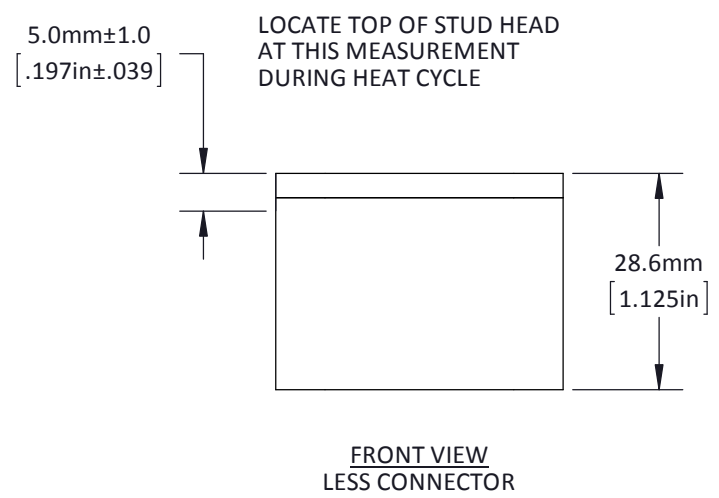
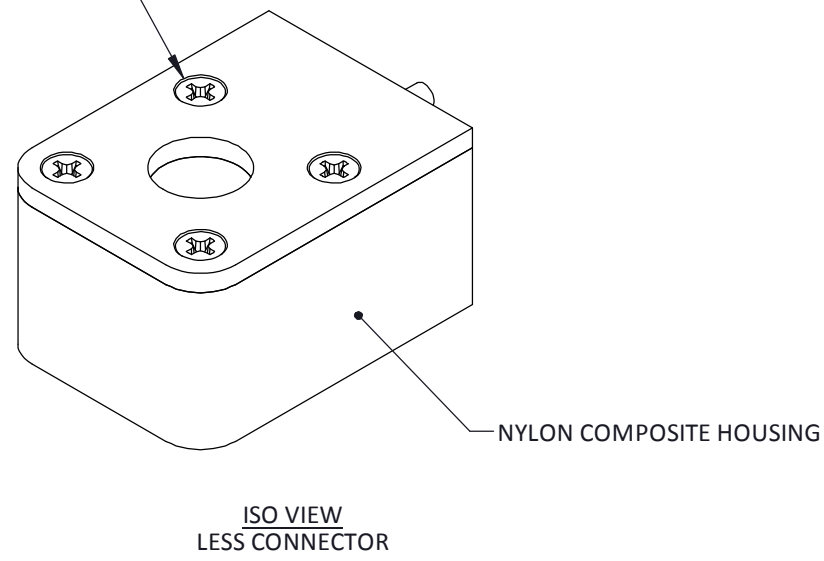


FASTENERS FOR ASSEMBLY ONLY
NO SERVICABLE COMPONENTS



SALES ENGINEER: CM	UNLESS OTHERWISE SPECIFIED:		 85 Meadowland Drive South Burlington, VT 05403 www.iTherm.com +1-802-862-9976		
DRAWN BY: CH	DIMENSIONS ARE IN MILLIMETERS				
CHECKED BY: DM	TOLERANCES ON:		COL-7-001008000 COIL,1POS,3FT LEADS,SOLENOID OVERALL COIL ASSEMBLY		
APPROVED BY: JP	ANGLES: ± 1°				
DRAWING CREATED: 6/25/2012	FRACTIONS: N/A		END USER NAME: N/A		
LAST SAVED: 10/19/2012	X = ± 2		JOB NUMBER: N/A		
PLOTTED: 10/19/2012	.X = ± 0.5		SERIAL NUMBER: TBD		
	.XX = ± 0.1		END USER NUMBER: N/A		
	SCALE: PER VIEW		CUSTOMER SHEET: 1 OF 1		
	3RD ANGLE PROJECTION		0101		
	PART NUMBER: COL-7-001008000		REV. 0		